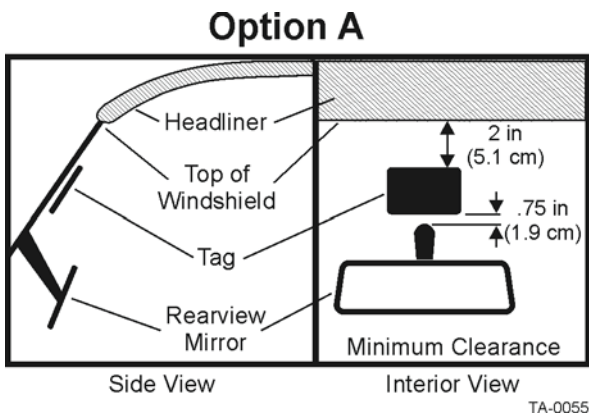


UHF Reader Tag Installation

The UHF Sticker Tag should be installed on the upper center or upper corner portion of the windshield. If the upper portion of the windshield is tinted with an aftermarket conductive tint, use placement Option B.

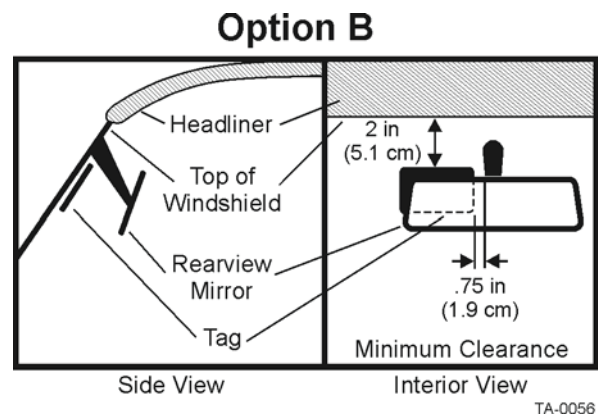
Mirror Post Attached Low On Windshield

Choose placement **Option A** if the mirror post is attached low on the windshield.



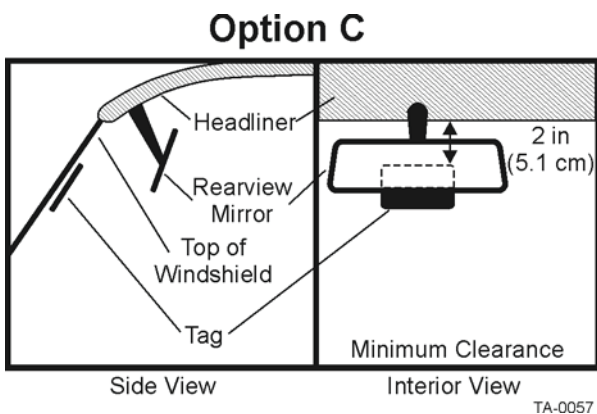
Mirror Post Attached High On Windshield

Choose placement **Option B** if the mirror post is attached high on the windshield or if the windshield is tinted with a conductive tint.



Mirror Post Attached to Headliner

Choose placement **Option C** if the mirror post is attached to the headliner. If the upper portion of the windshield is tinted with an aftermarket conductive tint, place the tag 2 inches below the tinted area.



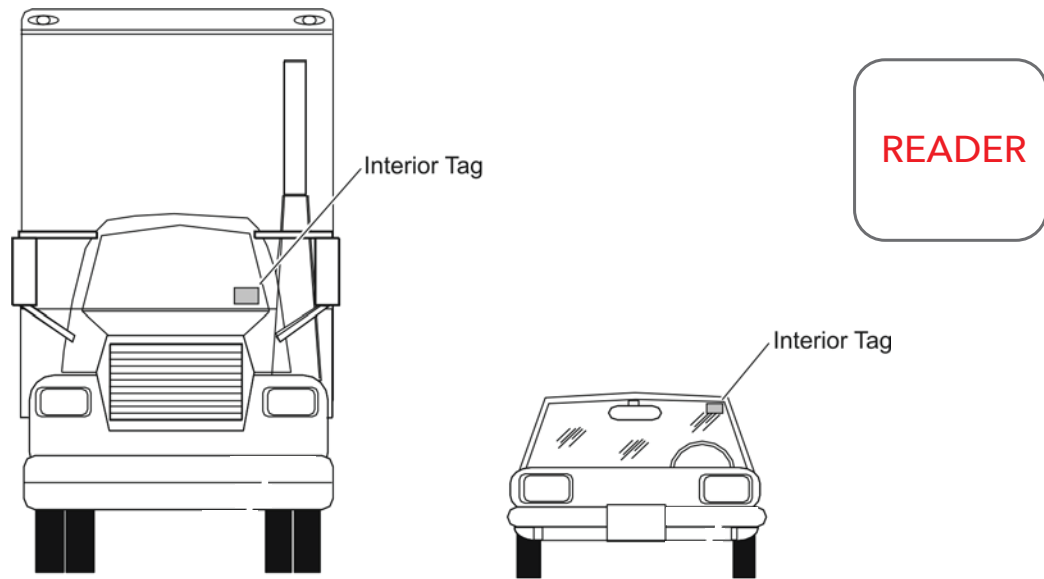
IMPORTANT!

When installing credentials be sure that they are installed horizontally as shown.

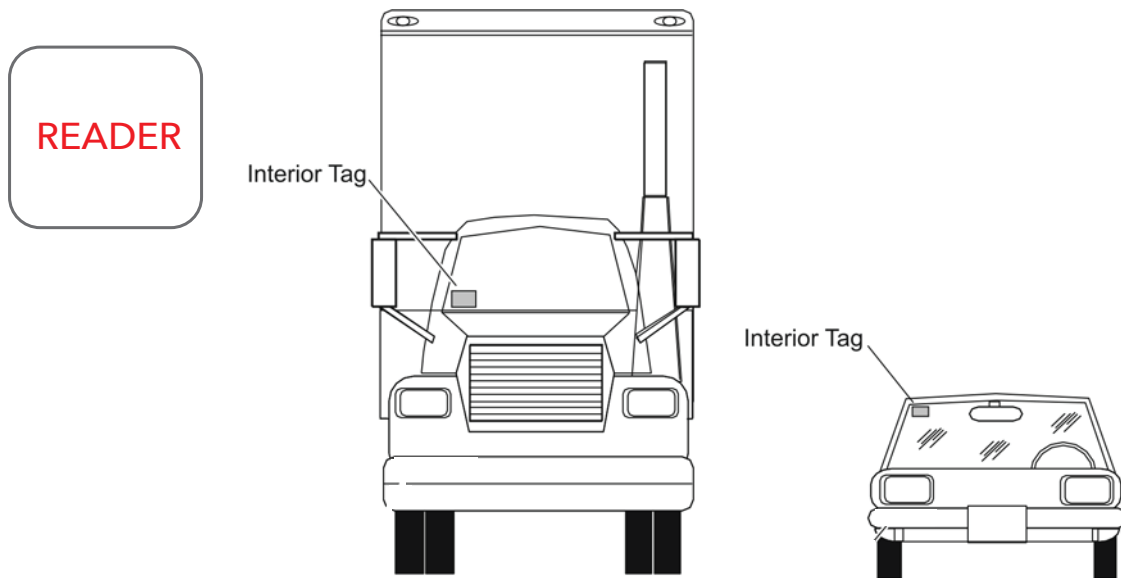
- ISO Prox Style Card
- Card Holder
- Adhesive Sticker



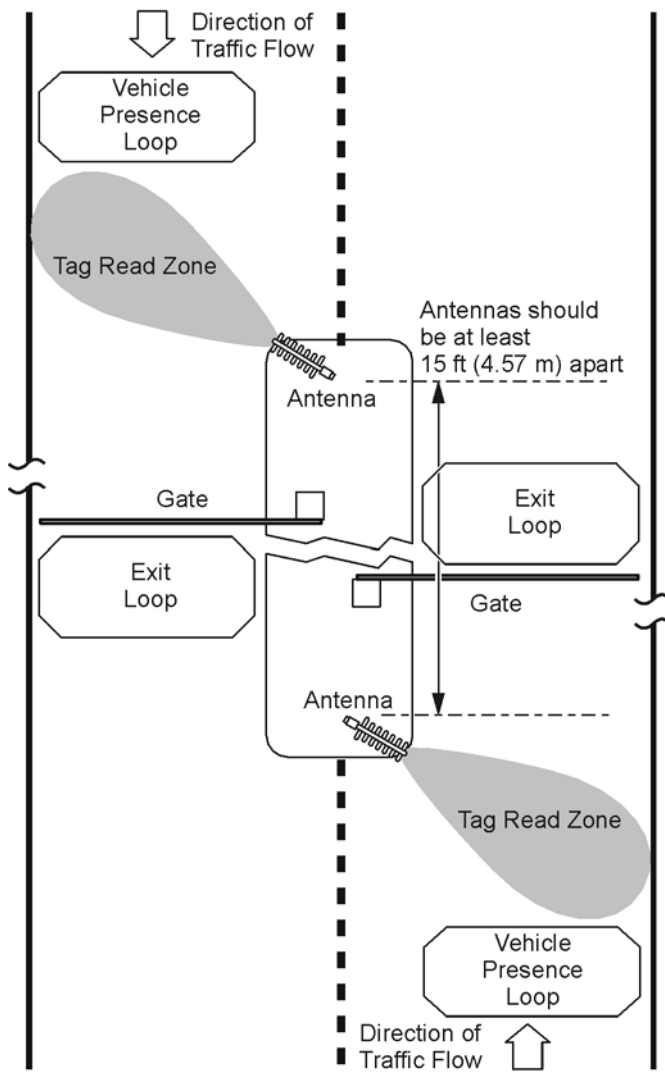
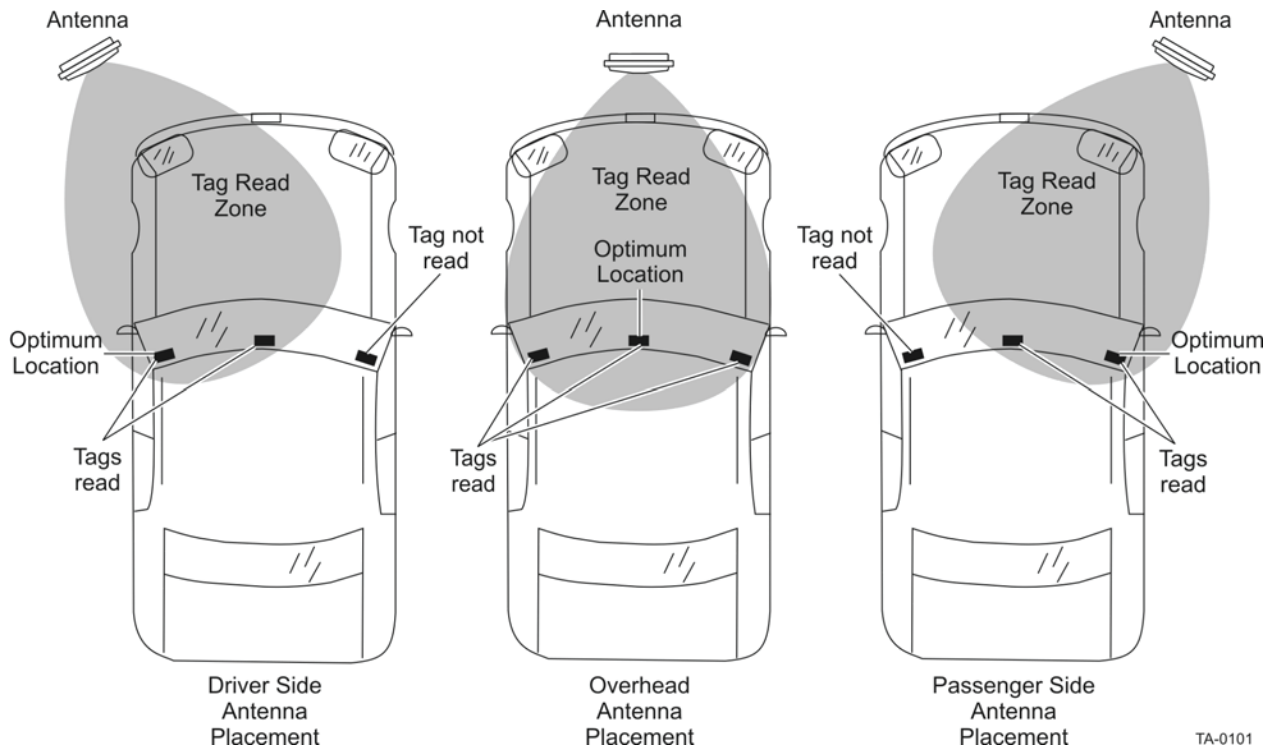
If the UHF reader antenna is installed to the **left** of the vehicle, optimal tag position is on the left side of the vehicle.



If the UHF reader antenna is installed to the right of the vehicle, optimal tag position is on the **right side** of the vehicle.



Antenna Location Relative to Tag Position



Ticket Island Configuration

This illustrates a parking garage application with each Reader and antenna mounted on the ticket island to read tags mounted on the inside center windshield or on the center front vehicle bumper. The Reader antenna placement may require the vehicle to stop before the gate opens.

Transmitter SOLUTIONS®

(866) 97

. i luti .